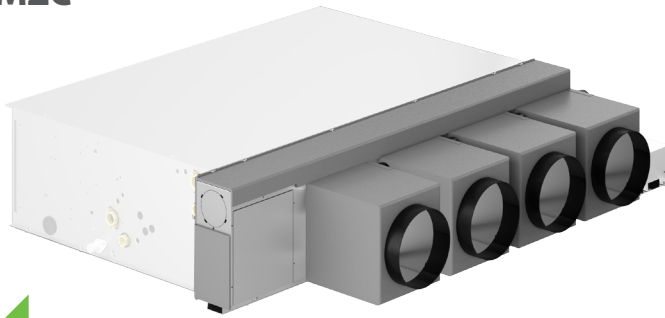
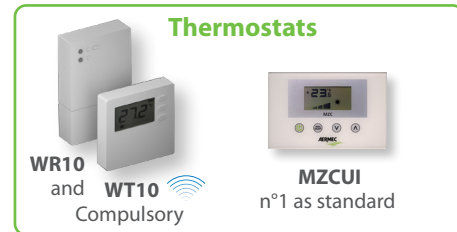


MZC



Plenum with motor-driven dampers for channelling fan coils



- multi-zone plenum for controlling air capacity
- available for CHANNELLED On/off and inverter fan coils

DESCRIPTION

The plenum with motor-driven dampers is designed for residential and tertiary applications. It combines optimal ambient comfort with assured energy savings. Modern plant increasingly require overall air conditioning using channelled systems. Thanks to the electronic control of the dampers, the MZC accessory regulates the room's comfort by adjusting the air flow to meet the actual requirements. MZC is designed for use in combination with all fan coils with asynchronous or brushless motors and is pre-set to distribute exchange air.

FEATURES

Structure

- Galvanized sheet metal structure, insulated with self-extinguishing material.
- From 2 to 6 delivery outlet blocks depending on the model. Each outlet is fitted with a motor-driven damper, with the possibility - whenever the system so requires - of adding an accessory MZCSM outlet (possibility not available for all models - see the accessory compatibility table).
- Fresh air injection flange, supplied as standard, for connecting the MZC plenum to a heat recovery unit.
- Pre-setting for the installation of an additional Air Probe (accessory MZCSA) to control the Modulating or Pressure Independent Valves.
- Possibility of installing the plenum even on the fan coil intake using a flange (accessory MZCA)
- Reversible electrical box (right/left)

Adjustment

- MZC is equipped with a zone thermostat MZCUI to select the required temperature set
- The status of the dampers (open/closed) is adjusted on reaching the temperature set in each room.
- Management of up to 6 motorized dampers
- Flow control for each damper (the damper's maximum and minimum aperture can be set for each outlet).
- Possibility of associating the control of multiple dampers with the same

zone thermostat, even wireless (MZCUI or WT10).

- For installations in which the dampers and room thermostats are uniquely associated, the dampers can be modulated in relation to the room thermostats' requirements.
- Enabling the "Suction Plenum" function
- MZC is able to control any valves installed on the fan coil associated with it (On/Off, modulating or Pressure Independent types) for systems with 2 or 4 pipes
- Possibility of setting control unit parameters through the supervision serial port

ACCESSORIES

- **MZCAC:** Compulsory electrical plant for connecting the MZC plenum with a fan coil fitted with an asynchronous motor
- **MZCBC:** Compulsory electrical plant for connecting the MZC plenum with a fan coil fitted with a brushless motor
- **MZCSM:** single module with motorized damper for all models except MZC220
- **MZCUI:** zone thermostat in addition to the one supplied as standard whenever the plant installation so requires.
- **MZCA:** Adapter flange for installing the Plenum even under fan coil suction.
- **WT10:** Wireless thermostat.
- **WR10:** Two-channel wireless receiver for WT10.
- **MZCSA:** Air Probe for controlling Modulating or Pressure Independent Valves.
- **VMF-VOC:** Air quality detection accessory.
- **MZCACV:** Relay Interface board. Mandatory accessory on VED units where motor absorption exceeds 0.7 A. The relay interface board is supplied with a 2A fuse to protect the fan coil. If the fan coil absorbs more than 2A and up to 4A, the fuse inside must be replaced with a 4A fuse (supplied).

COMPATIBILITY OF ACCESSORIES

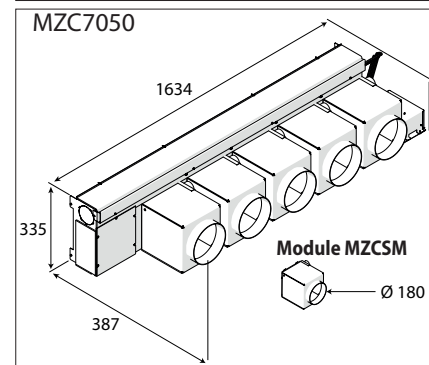
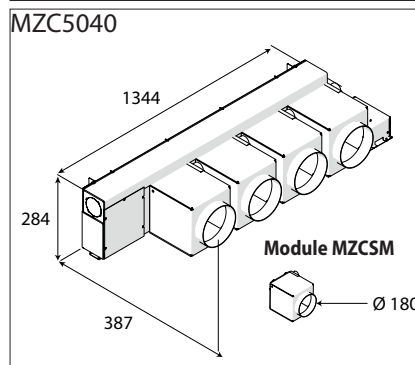
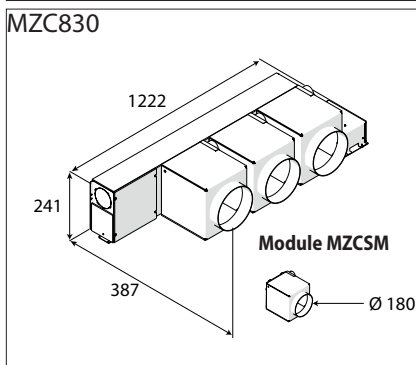
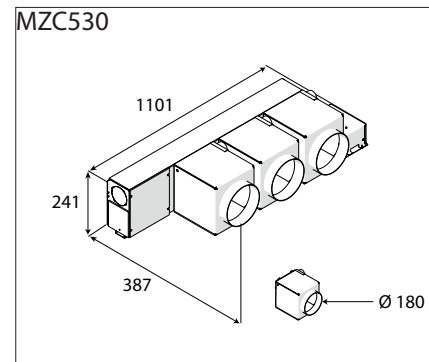
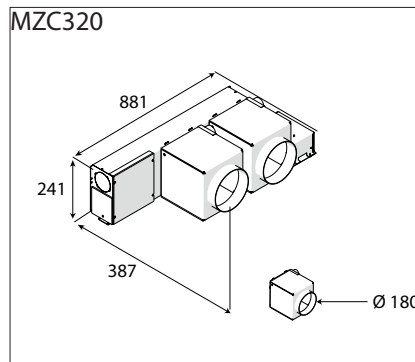
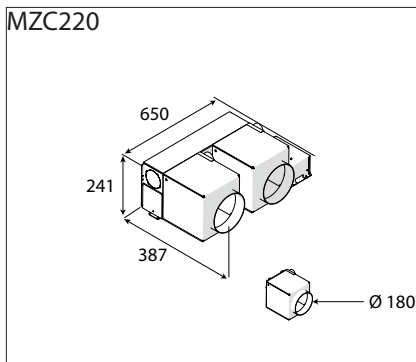
Model	MZC220	MZC320	MZC530	MZC830	MZC5040	MZC7050
MZCSM	-	•	•	•	•	•
MZCUI	•	•	•	•	•	•
MZCAC	•	•	•	•	•	•
MZCBC	•	•	•	•	•	•
WT10	•	•	•	•	•	•
WR10	•	•	•	•	•	•
MZCA	2	3	5	8	-	-
MZCSA	•	•	•	•	•	•
VMF-VOC	•	•	•	•	•	•
MZCACV	-	-	-	-	-	•

COMPATIBILITY OF MZC PLENUMS WITH AERMEC FAN COILS

For performance data, refer to the product data cards for each MZC compatible unit. All these data cards are available on the site www.aermec.com

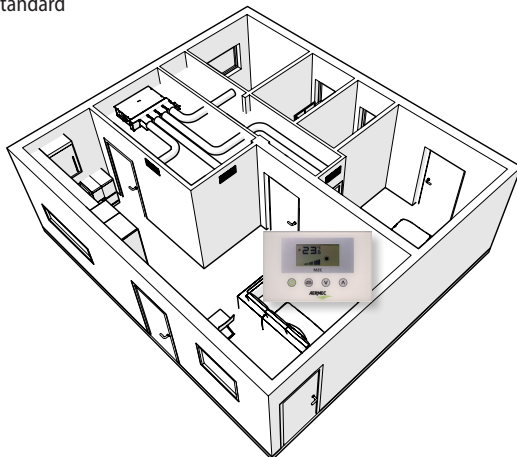
Models	N°Dampers	FCX_PO	FCXI_P	FCZ_PO	FCZI_P	VED	VED_I
MZC220	2	22-24	20-24	200-201-202-250	200-201-202-250	030-040	030-040
MZC320	2 *	32-34-36	30-34-36	300-301-302-350	300-301-302-350	130-140	130-140
MZC530	3 *	42-44 50-54-56	40-44 50-54-56	400-401-402-450 500-501-502-550	400-401-402-450 500-501-502-550	230-240	230-240
MZC830	3 *	62-64 82-84	80-84	600-601-602-650 700-701-702-750 800-801-802-850 900-901-950	700-701-702-750 900-901-950	330-340	330-340
MZC5040	4 *	-	-	-	-	430-432-440-441 530-532-540-541	530-532-540-541
MZC7050	5 *	-	-	-	-	630-632-640-641 730-732-740-741	730-732-740-741

* Whenever the plant installation so requires, it is even possible to add later on a single delivery module MZCSM (accessory), refer to the figures

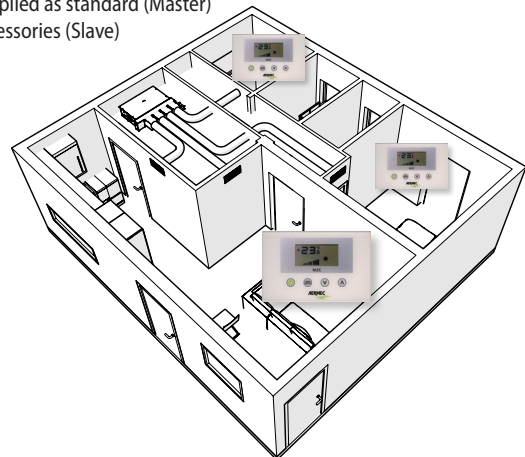


PLANT SOLUTIONS

Solution - with n° 1 MZCUI zone thermostat
Supplied as standard



Solution - with n° 3 MZCUI zone thermostats
n° 1 Supplied as standard (Master)
n° 2 Accessories (Slave)



Aermec reserves the right to make any modifications deemed necessary.
All data is subject to change without notice. Aermec does not assume
responsibility or liability for errors or omissions.

Aermec S.p.A.

Via Roma, 996 - 37040 Bevilacqua (VR) - Italia
Tel. 0442633111 - Telefax 044293577
www.aermec.com